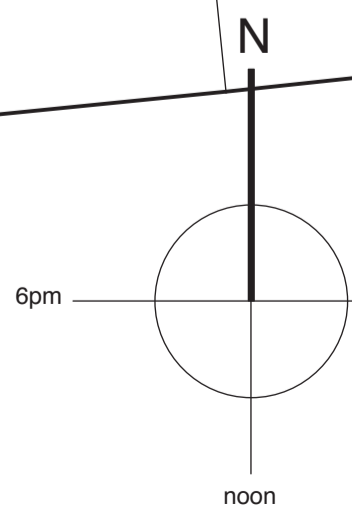
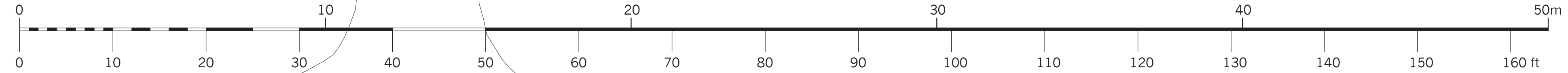


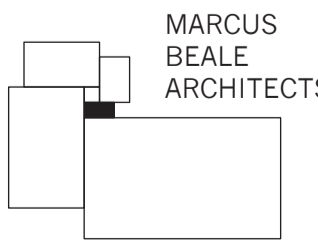


- KEY**
- SITE BOUNDARY
  - CIRCULATION
  - LIVING SPACES
  - BEDROOMS
  - KITCHEN / DINERS
  - BATHROOMS
  - T TERRACE

FLAT	GROSS INTERNAL AREA
8 (3 BED)	110m <sup>2</sup>
9 (2 BED)	75m <sup>2</sup>



MBA, 1 Compton Road  
Wimbledon, London SW19 7QA  
Phone +44 (0) 20 8946 4141  
Fax +44 (0) 20 8946 2299  
Email mba@marcus-beale.co.uk  
www.marcus-beale.co.uk



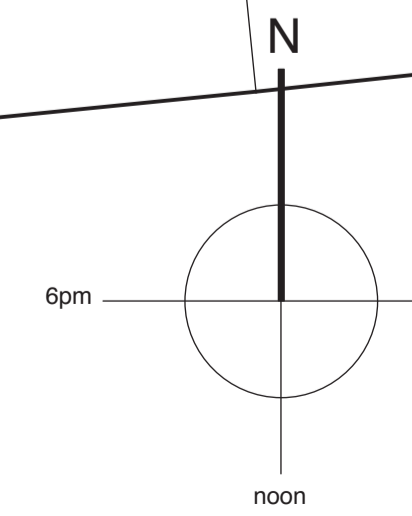
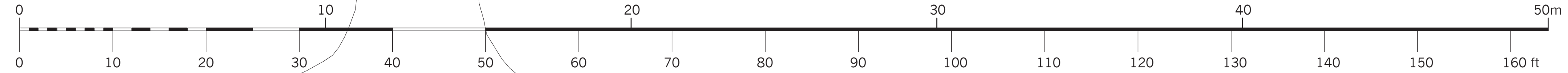
P3 - 4/06/15 - Bin store updated  
P2 - 27/03/15 - FOR PLANNING  
B - 19/02/15 - ISSUED FOR INFORMATION

2A AMITY GROVE, SW20 0LJ		THIRD FLOOR PLAN		PROPOSED
Scale	1:200 @ A3	Drawn	HS	602/014 P3
Date	31/01/2014	Check	TG	

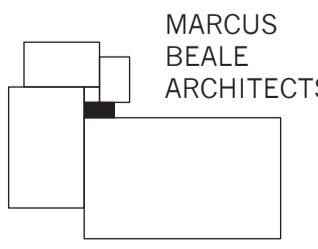


KEY

- SITE BOUNDARY
- CIRCULATION
- PLANT SPACE
- ROOFS
- GREEN ROOF
- PHOTOVOLTAIC PANELS

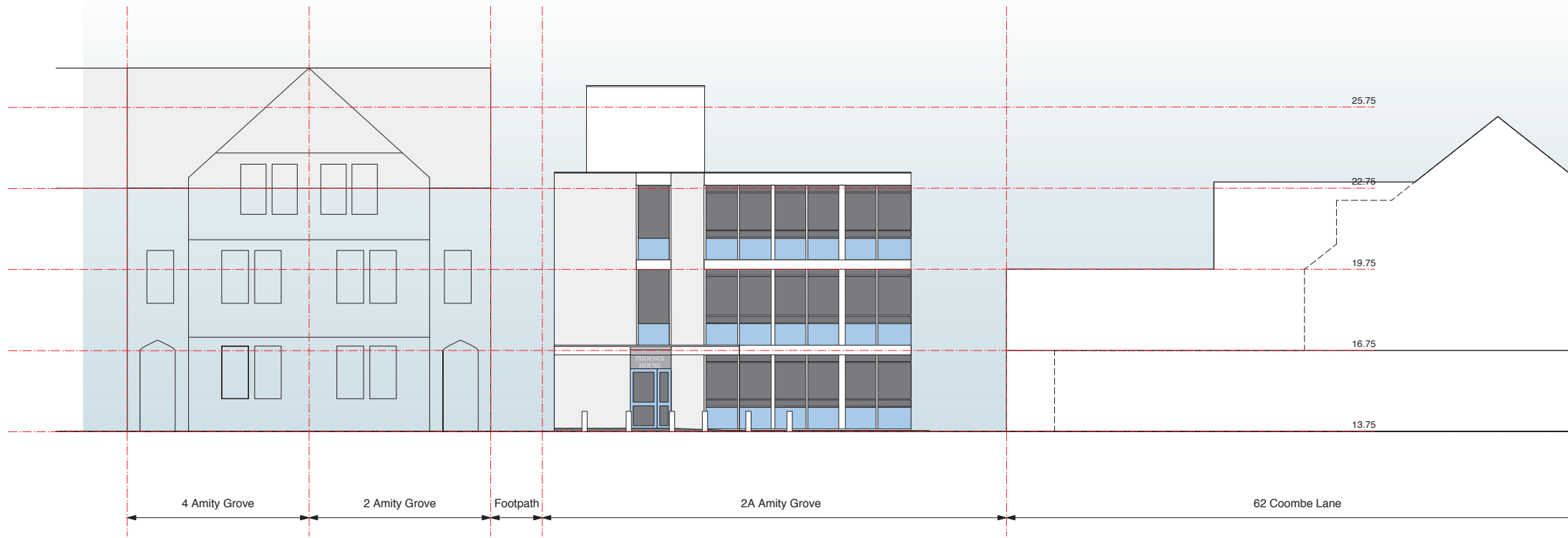


MBA, 1 Compton Road  
Wimbledon, London SW19 7QA  
Phone +44 (0) 20 8946 4141  
Fax +44 (0) 20 8946 2299  
Email mba@marcus-beale.co.uk  
www.marcus-beale.co.uk



P4 - 4/06/15 - Bin store updated  
P3 - 21/05/15 - FOR PLANNING  
P2 - 27/03/15 - FOR PLANNING  
B - 19/02/15 - ISSUED FOR INFORMATION

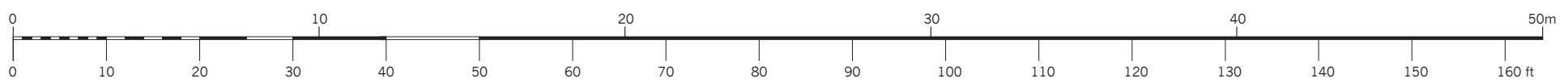
2A AMITY GROVE, SW20 0LJ		PROPOSED	
PLANT LEVEL / ROOF PLAN		602/015 P4	
Scale 1:200 @ A3	Drawn HS	Date 31/01/2014	Check TG



01 FRONT (WEST) ELEVATION

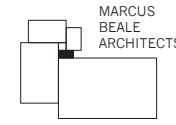


02 REAR (EAST) ELEVATION



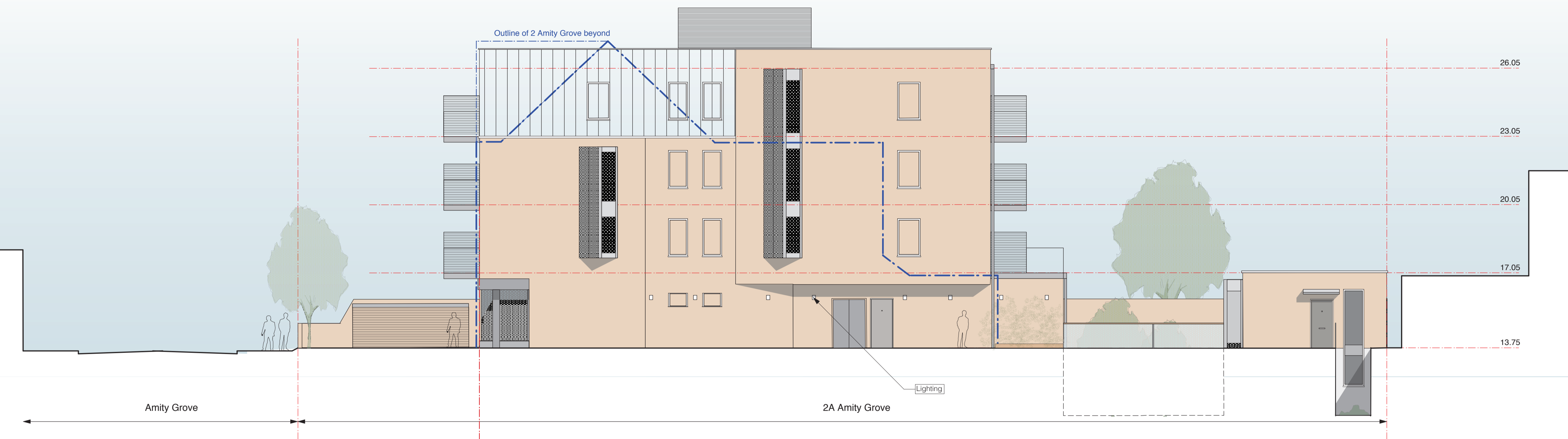
P2 - 27/03/15 - FOR PLANNING  
 B - 20/03/15 - ISSUED FOR INFORMATION

MBA, 1 Compton Road  
 Wimbledon, London SW19 7QA  
 Phone +44 (0) 20 8946 4141  
 Fax +44 (0) 20 8946 2299  
 Email mba@marcus-beale.co.uk  
 www.marcus-beale.co.uk

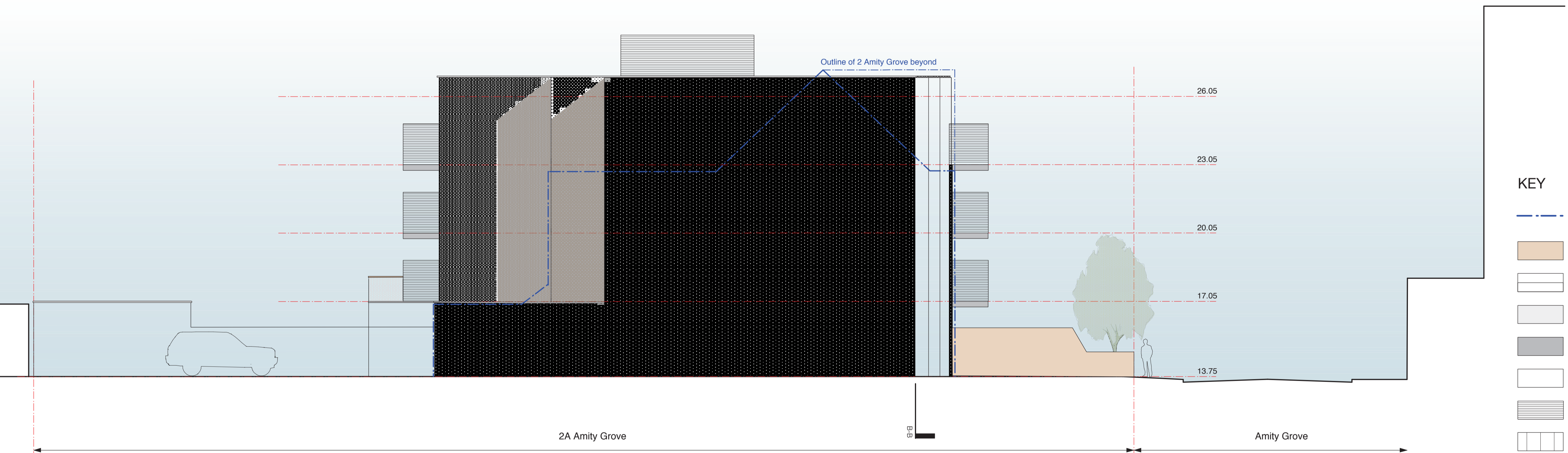


2A AMITY GROVE, SW20 0LJ		EXISTING	
EXISTING ELEVATIONS		EXISTING	
SHEET 2 OF 2		602/041 P2	
Scale	1:200 @ A3	Drawn	HS
Date	31/01/2014	Check	TG

01 SOUTH ELEVATION



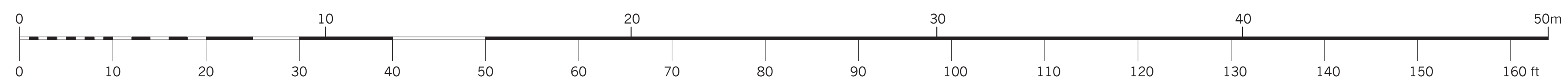
02 NORTH ELEVATION



KEY

- - - OUTLINE OF NO. 2 AMITY GROVE BEYOND/BEHIND
- BRICK
- BRICK WALL
- WHITE RENDER
- GLAZING - WINDOWS AND DOORS
- GLAZING - BALCONIES
- METAL LOUVRES
- ZINC CLADDING

P3 - 4/06/15 - Position of 2 Amity Grove amended on the South Elevation and its rear extension added to both elevations. Bin store doors shown on South Elevation  
 P2 - 27/03/15 - FOR PLANNING  
 B - 19/02/15 - ISSUED FOR INFORMATION



MBA, 1 Compton Road  
 Wimbledon, London SW19 7QA  
 Phone +44 (0) 20 8946 4141  
 Fax +44 (0) 20 8946 2299  
 Email mba@marcus-beale.co.uk  
 www.marcus-beale.co.uk

MARCUS BEALE ARCHITECTS

2A AMITY GROVE, SW20 0LJ  
**ELEVATIONS - SHEET 1 OF 3**  
 PROPOSED

Scale 1:200 @ A3	Drawn HS	602/050 P3
Date 15/01/2013	Check TG	