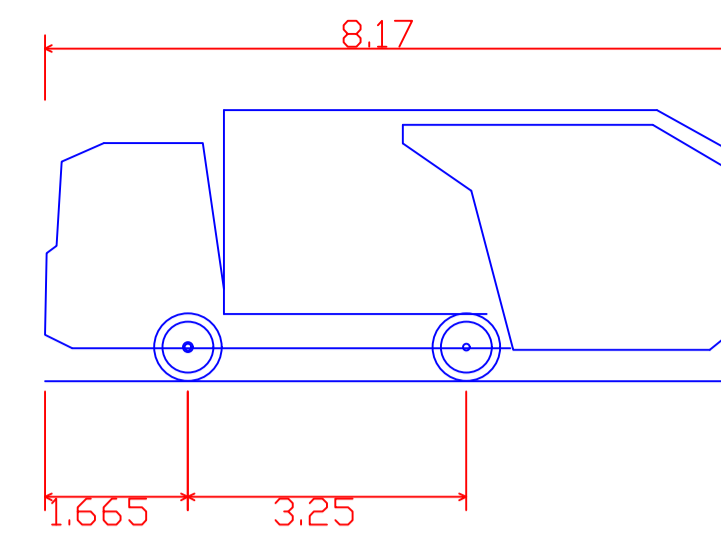


8M RCV: LEFT TURN FROM WOODVILLE ROAD ONTO PRIVATE DRIVE, TRAVEL TO SITE

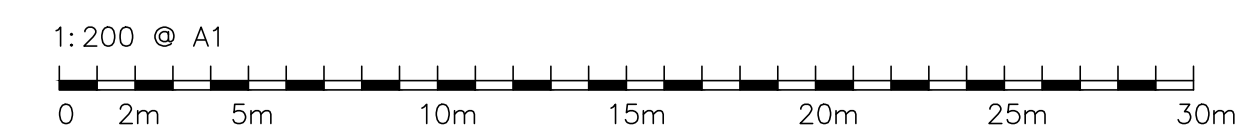
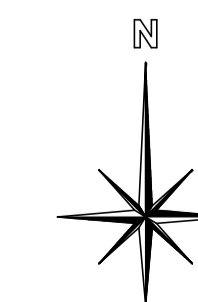
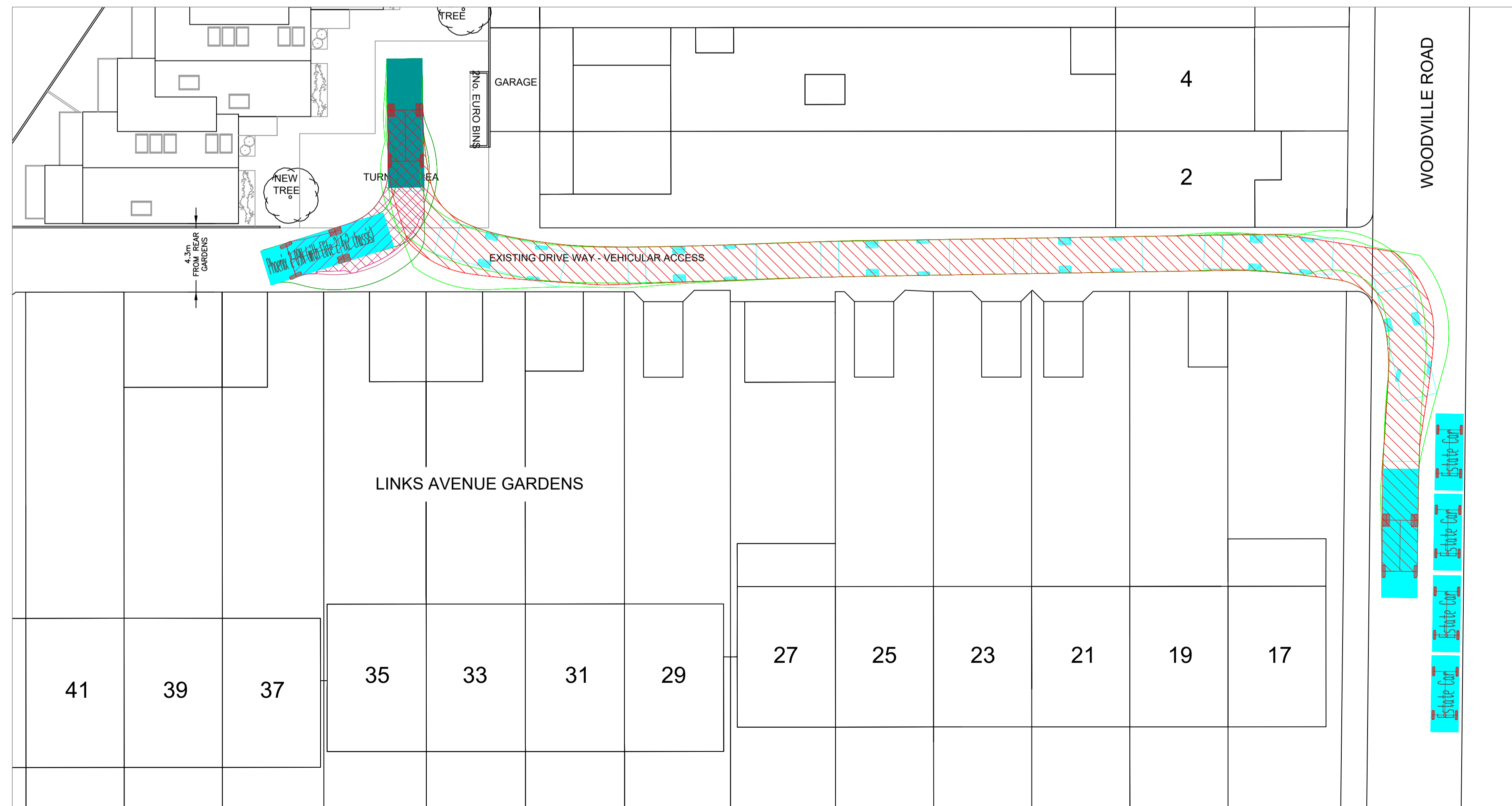


Phoenix 2-09N (with Elite 2 4x2 chassis)
 Overall Length 8.170m
 Overall Width 2.250m
 Overall Body Height 3.162m
 Min Body Ground Clearance 0.367m
 Track Width 2.250m
 Lock to lock time 4.00s
 Kerb to Kerb Turning Radius 6.550m

KEY TO VEHICLE ENVELOPES

- ▨ CHASSIS IN FORWARD GEAR
- BODY OVERHANG IN FORWARD GEAR
- ▨ CHASSIS IN REVERSE GEAR
- BODY OVERHANG IN REVERSE GEAR
- VEHICLE IN FORWARD POSITION
- VEHICLE IN REVERSE POSITION

8M RCV: REVERSE MANOEUVRE INTO SITE, EXIT IN FORWARD GEAR, RIGHT TURN ONTO WOODVILLE ROAD



CLIENT:
WOODVILLE MEWS LTD

PROJECT:
2-16 WOODVILLE ROAD,
MERTON, LONDON

TITLE:
SWEEP PATH ANALYSIS

DESCRIPTION:
DENNIS EAGLE REFUSE
COLLECTION VEHICLE 8M

STATUS:
PRELIMINARY

DATE: 05.01.21 DRAWN BY: JG

JOB NO: JG.02.21 SCALE: 1:200 @ A1

REV: - DRAWING NO: JG02

NOTES

1. This drawing and any ancillary drawings or data are copyright of JG Highway Design Ltd, and may not be used, copied, or amended for any purpose whatsoever without written approval.
2. This drawing is only to be used for the purposes described in the status box below.
3. Work to figured dimensions only, do not scale from this drawing. All dimensions and levels to be checked on site by the contractor before commencement of any work. If in doubt, ask.
4. This drawing is to be read in conjunction with all other drawings, details and specifications pertaining to the work described. It should only be used for the purpose marked in the status box above and shall not be used for construction unless clearly marked CONSTRUCTION.
5. Materials and workmanship shall comply to the appropriate British Standards and Codes of Practice unless otherwise stated.
6. The activities required to construct the work, shown on drawings clearly marked CONSTRUCTION, may be subject to the provisions of the Construction (Design & Management) Regulations 2015. The Contractor and Client must ensure that they are adequately conversant with these regulations and that the appropriate procedures required under the regulations are always observed.
7. Sweep path analysis: When generic vehicles are used for sweep path analysis, they may differ from specific makes and models of that type. Driver ability can vary hugely. What one driver is capable of, another may not be so any analysis shown to be tight on space will come down driver ability and the difference between make and models of vehicles.
8. UTILITIES NOTE: The position of any existing public or private sewers, utility services, plant or apparatus shown on this drawing is believed to be correct, but no warranty to this is expressed or implied. Other such plant or apparatus may also be present but not shown. The Contractor is therefore advised to undertake his own investigation where the presence of any existing sewers, services, plant, or apparatus may affect his operations.
9. Printed drawings not valid in black and white.

AMENDMENTS

This page is intentionally left blank